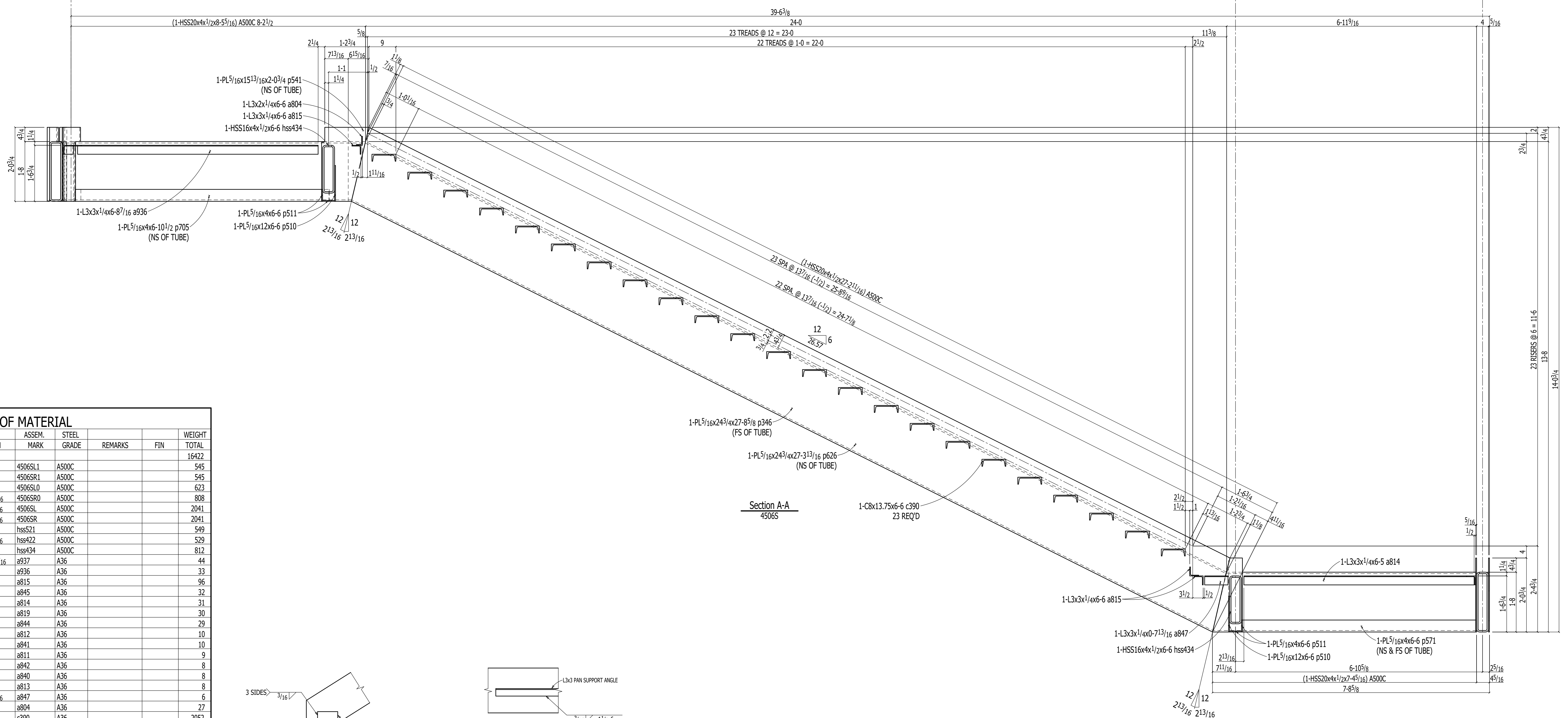
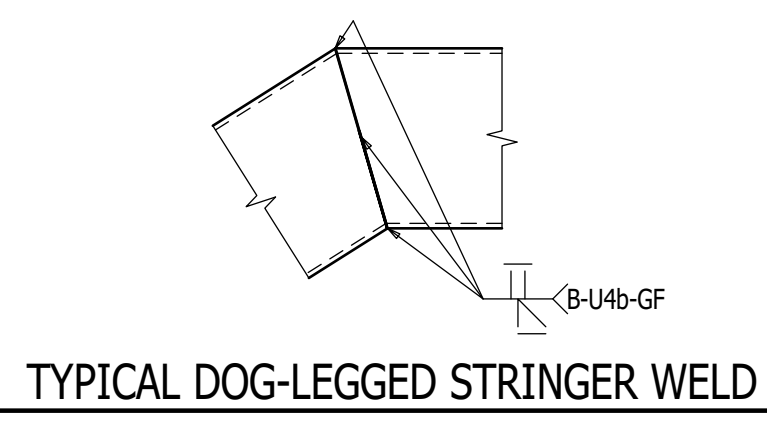
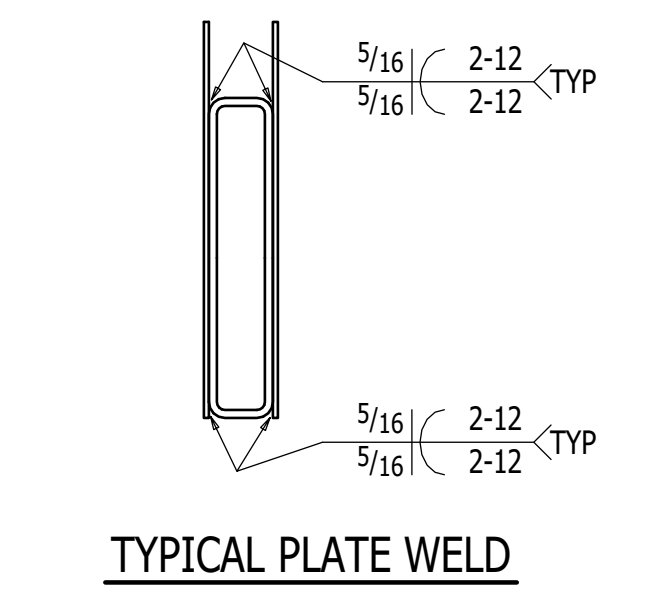
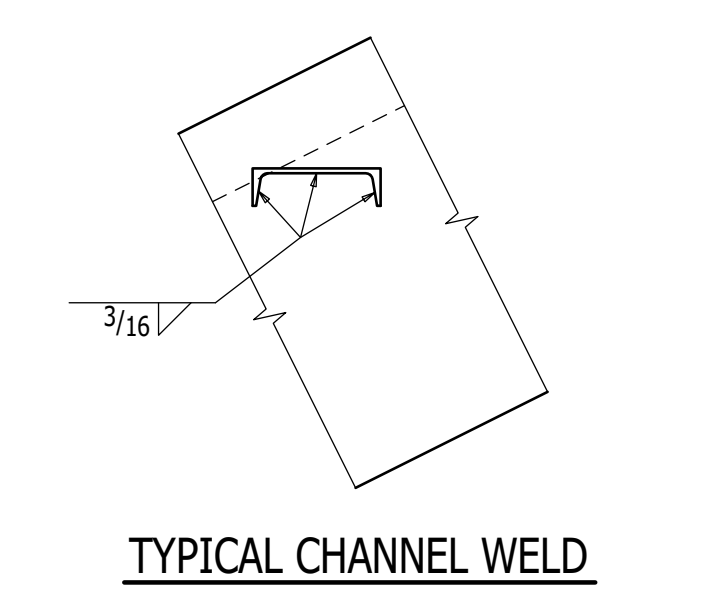
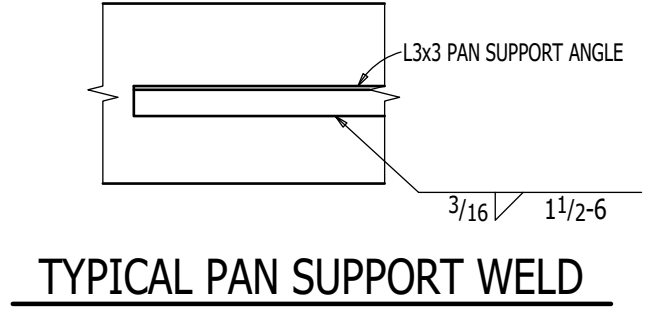
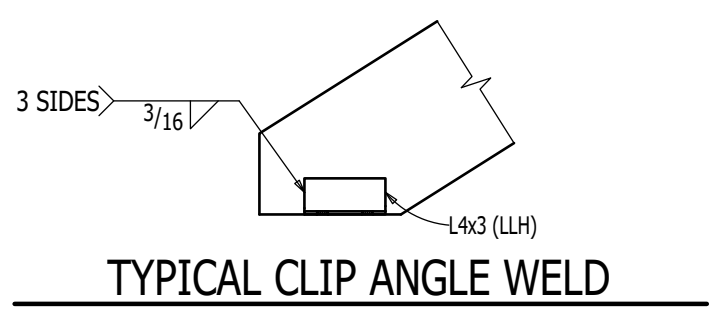


ONE STAIR 4506S



BILL OF MATERIAL							
SHIPPING Mark	NO. PCS	MATERIAL	LENGTH	ASSEM. MARK	STEEL GRADE	REMARKS	WEIGHT TOTAL
4506S	ONE STAIR						16422
	1	HSS20x4x1/2	7 45/16	4506SL1	A500C		545
	1	HSS20x4x1/2	7 45/16	4506SR1	A500C		545
	8	HSS20x4x1/2	8 55/16	4506SL0	A500C		623
	10	HSS20x4x1/2	10 109/16	4506SR0	A500C		808
	27	HSS20x4x1/2	27 213/16	4506SL	A500C		2041
	1	HSS20x4x1/2	27 213/16	4506SR	A500C		2041
	1	HSS20x4x1/2	7 25/8	hss21	A500C		549
	1	HSS20x4x1/2	7 013/16	hss422	A500C		529
	2	HSS16x4x1/2	6 6	hss434	A500C		812
	1	L3x3x1/4	8 1113/16	a937	A36		44
	1	L3x3x1/4	6 87/16	a936	A36		33
	3	L3x3x1/4	6 6	a815	A36		96
	1	L3x3x1/4	6 59/16	a845	A36		32
	1	L3x3x1/4	6 5	a814	A36		31
	1	L3x3x1/4	6 25/16	a819	A36		30
	1	L3x3x1/4	5 11	a844	A36		29
	1	L3x3x1/4	2 07/8	a812	A36		10
	1	L3x3x1/4	2 01/2	a841	A36		10
	1	L3x3x1/4	1 87/8	a811	A36		9
	1	L3x3x1/4	1 89/16	a842	A36		8
	1	L3x3x1/4	1 81/2	a840	A36		8
	1	L3x3x1/4	1 83/8	a813	A36		8
	2	L3x3x1/4	0 713/16	a847	A36		6
	1	L3x3x1/4	6 6	a804	A36		27
	23	C8x13.75	8 6	c390	A36		2052
	1	C6x10.5	8 59/16	c384	A36		89
	1	C6x10.5	7 713/16	c383	A36		80
	2	C6x10.5	6 69/16	c369	A36		137
	1	PL5/16x243/4	7 89/16	p721	A36		480
	1	PL5/16x243/4	7 25/8	p710	A36		148
	1	PL5/16x243/4	27 313/16	p551	A36		706
	1	PL5/16x243/4	10 519/16	p534	A36		270
	1	PL5/16x243/4	27 89/8	p346	A36		712
	1	PL5/16x243/4	7 4	p386	A36		187
	2	PL5/16x4	6 6	p571	A36		55
	2	PL5/16x243/4	27 313/16	p626	A36		1412
	1	PL5/16x243/4	10 1113/16	p546	A36		282
	1	PL5/16x243/4	7 89/8	p548	A36		197
	1	PL5/16x243/4	7 35/16	p704	A36		183
	1	PL5/16x243/4	6 109/8	p726	A36		171
	1	PL5/16x1513/16	2 03/4	p541	A36		28
	2	PL5/16x12	6 6	p510	A36		166
	1	PL5/16x10	2 03/4	p349	A36		16
	1	PL5/16x67/8	2 03/4	p706	A36		9
	1	PL5/16x4	6 101/2	p705	A36		29
	4	PL5/16x4	6 6	p511	A36		111
	1	PL5/16x4	6 111/16	p727	A36		29



SHOP NOTE:
WORK THIS SHEET
WITH SHEET 4507



SNYDER ENGINEERING, INC.

1512 Old US Highway 40 East
Columbia, Missouri 65202

PHONE: (573) 449-9177
FAX: (573) 449-7177

DESCRIPTION: CENTRAL STAIR	CLEANING: SSPC-SP2/SP3	SHOP PAINT: STD RED PRIMER
DRAWN BY: DAW	WELDING: E70xx	MIL THCKNS: 1.5 MILS
CHECKED BY: JAM	REFERENCE: ST-E400 SERIES	ALL HOLES: 13/16 DIA U.N.O.
PROJECT: FIRST BANK HEADQUARTERS	LOCATION: CREVE COEUR, MISSOURI	CUSTOMER: BRINKMANN CONSTRUCTORS
JOB NUMBER: 2309	DRAWING NO.: 4506	

RELEASED FOR FABRICATION